

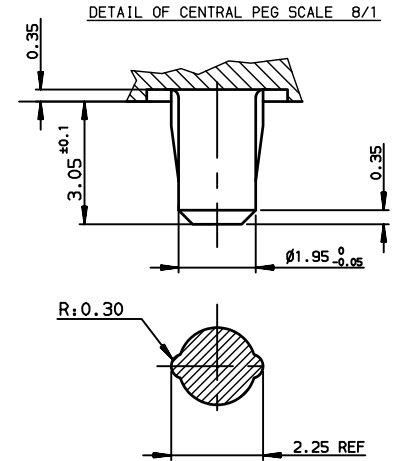
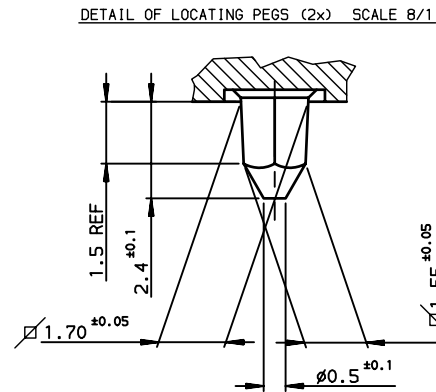
NOTE-1: GENERAL CHARACTERISTICS ACCORDING TO GS-12-446
 NOTE-2: ONE CENTER PEG FOR HOLD DOWN FORCE
 NOTE-4: PRODUCT MARKING = PRODUCT NUMBER + FCI+DATE CODE
 NOTE-5: PLATING ON MATING PART : SEE Prod Spec GS-12-446
 NOTE-6: CENTRAL WALL WITH END REAR SUPPORT
 NOTE-7: STANDARD PACKAGING IS TUBE ,BUT IF SUFFIX "P" IS ADDED IN P/N,PACKAGING IS IN TRAYS,MARKING IS WITHOUT "P"
 Example: 85822-1xxPLF ,marking 85822-1xxLF
 NOTE-8: FOR LEAD FREE PART NUMBER ,ADD "LF" AT THE END OF REFERENCE (85822-101LF)

PART NUMBER	PERFORMANCE LEVEL
85822-1YY(LF)	STANDARD P/N, See Prod. Spec GS-12-446
85822-3YY(LF)	CUSTOMER SPECIAL , Specific Plating

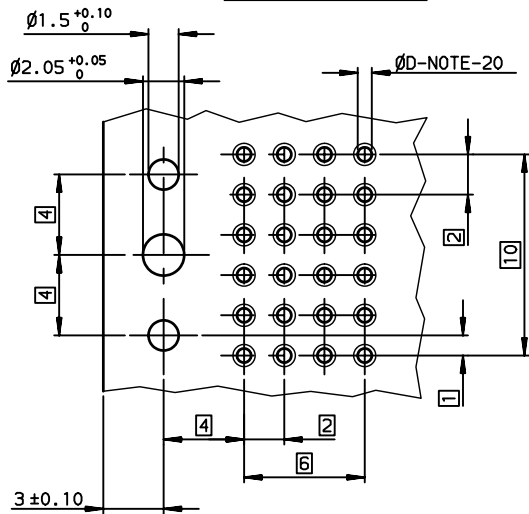
rev	ecn no	dr	date
J	-	CHA	2003/01/14
K	LS05-0056	MLE	2005/04/20
L	LS06-0039	MLE	2006/03/14
M	LS06-0114	LGO	2006/08/11
N	LS07-0003	LGO	2007/01/04
P	LS07-0134	MLE	2007/05/14
R	LS07-0143	MLE	2007/05/21

www.fciconnect.com		surface ISO 1302 ✓	tolerance std ISO 406 ISO 1101	projection mm
TOLERANCES UNLESS OTHERWISE SPECIFIED				
Dr	BOUWKNEGT	1994/04/15	0.X ± 0.1	size A3
Eng	LENOIR	1994/04/15	0.XX ± 0.1	
Chr	LEGARE	1994/04/15	0.XXX ± 0.1	
Appr	LEGARE	1994/04/15	Product family METRAL	ECN LS07-0143
FCI		title METRAL RA HDR STB CONVERG		Scale 4:1
catalog no		NB 4x6 -1MODULE- FMLB LOADING		ECN 85822-1
				Rev. R
		CUSTOMER		sheet 1 of 2

PART NUMBER / CONTACT LOADING							
DIM-P ±0.10				DIM-D ±0.30	TIN LEAD PART NUMBER	LEAD FREE PART NUMBER	
ROW-A	ROW-B	ROW-C	ROW-D				
5.00	5.00	5.00	5.00	2.90	85822-X01	85822-X01LF	
5.00	5.75	5.00	5.00	2.90	85822-X02	85822-X02LF	
5.00	5.75	6.50	5.00	2.90	85822-X03	85822-X03LF	
5.00	5.00	6.50	5.00	2.90	85822-X04	85822-X04LF	
5.75	5.75	5.75	5.75	2.90	85822-X05	85822-X05LF	
6.50	5.75	5.00	5.75	2.90	85822-X06	85822-X06LF	
6.50	6.50	6.50	5.75	2.90	85822-X07	85822-X07LF	
6.50	5.75	6.50	5.75	2.90	85822-X08	85822-X08LF	
6.50	5.00	5.00	5.00	2.90	85822-X09	85822-X09LF	
5.75	5.75	5.75	5.75	3.70	85822-X10	85822-X10LF	



RECOMMENDED PCB LAYOUT



NOTE-20: FINISH HOLE DIAMETER
See Prod Spec GS-12-446

rev	ecn no	dr	date
L	-	-	-
M	LS06-0114	LGO	2006/08/12
N	LS07-0003	LGO	2007/01/04
P	LS07-0134	MLE	2007/05/14
R	LS07-0143	MLE	2007/05/21
-	-	-	-
-	-	-	-

OTHERS INFORMATIONS, SEE DRW 85822-1

European Views

www.fciconnect.com		surface ISO 1302 ✓	tolerance std ISO 406 ISO 1101	projection 1st angle	mm
TOLERANCES UNLESS OTHERWISE SPECIFIED					
Dr	LENOIR	1994/04/15	ANGULAR	0.X	±0.1
Eng	LENOIR	1994/04/15	LINEAR	0.XX	±0.1
Chr	LEGARE	1994/04/15	0.XX' ±2'	0.XXX	±0.1
Appr	LEGARE	1994/04/15	Product family	METRAL	
title METRAL RA HDR STB CONVERG				size A3	Scale 4:1
4x6 -1MODULE -FMLB LOADING				ECN LS07-0143	Spec ref -
catalog no				85822-2	Rev. R
CUSTOMER				sheet 2 of 2	